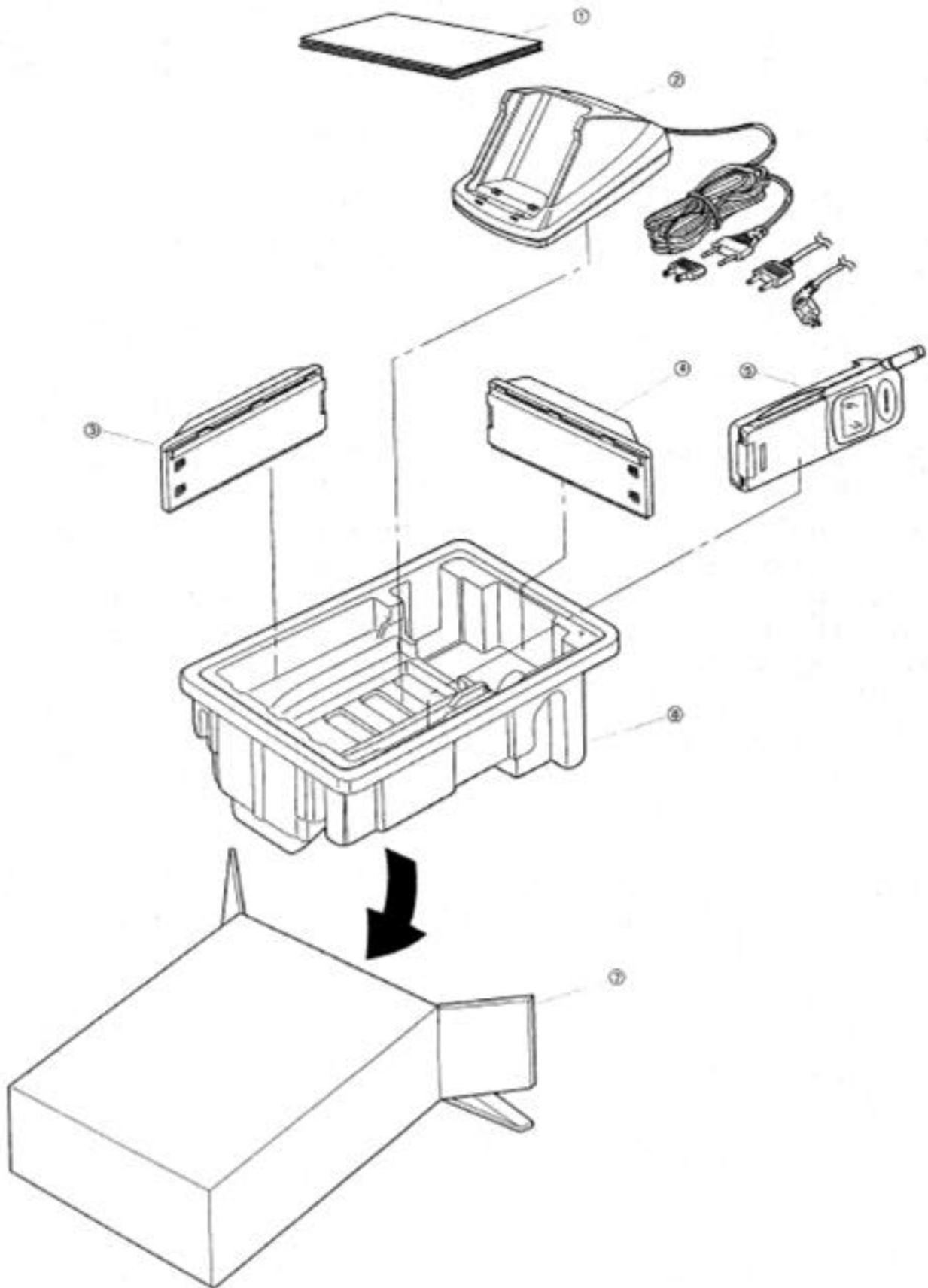


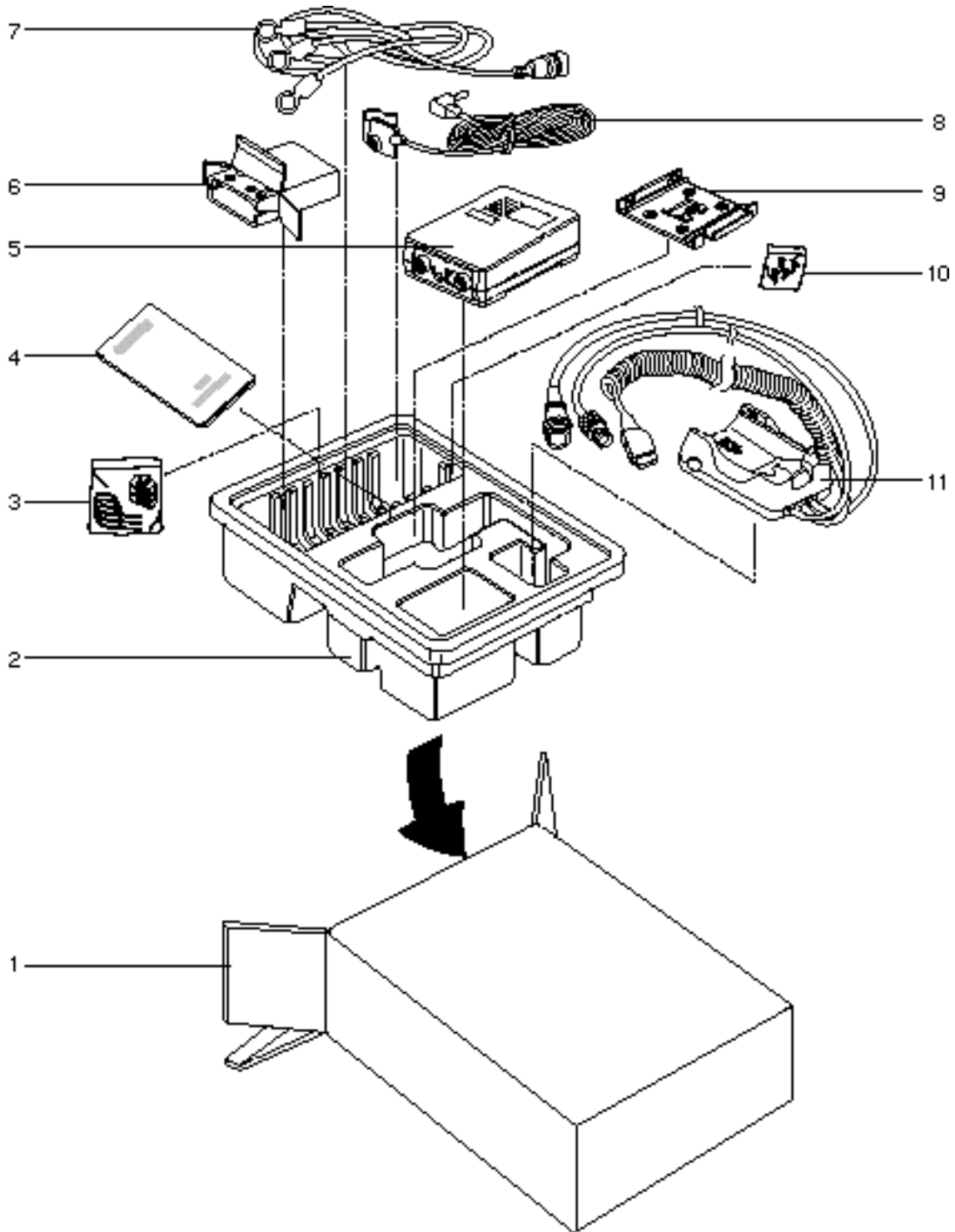
8-9 Main Packing Layout



8-10 Main Packing Parts List

NO	DESCRIPTION	SEC. CODE	Q'TY	REMARK
1	USERS MANUAL		1	
2	RAPID CHARGER	GH44-40034A	1	
3	STANDARD BATT PACK	GH43-10104A	1	
4	LONG BATT PACK	GH43-10103A	1	
5	HANDSET	GH90-01223A	1	
6	CUSHION CASE	GH69-20638A	1	
7	GIFT BOX-MAIN	GH69-11090A	1	

8-11 Hands-Free Kit Packing Layout



8-12 Hands-Free Kit Packing Parts List

NO	DESCRIPTION	SEC. CODE	Q'TY	REMARK
1	BOX, GIFT	GH69-10842A	1	
2	CUSHION, BASE	GH69-20550A	1	
3	ASS'Y, CABLE TIE		1	
4	USER'S MANUAL, H/F	GH68-60560A	1	
5	ASS'Y, HANDS-FREE KIT	GH90-00577A	1	
6	CLAMSHELL, MOUNT		1	
7	POWER CABLE	GH39-10501A	1	
8	ASS'Y, HANDS-FREE MICROPHONE		1	
9	BRACKET, MOUNTING	GH72-40628A	1	
10	ASS'Y, SCREW		1	
11	ASS'Y, CRADLE	GH90-00578A	1	

MEMO